

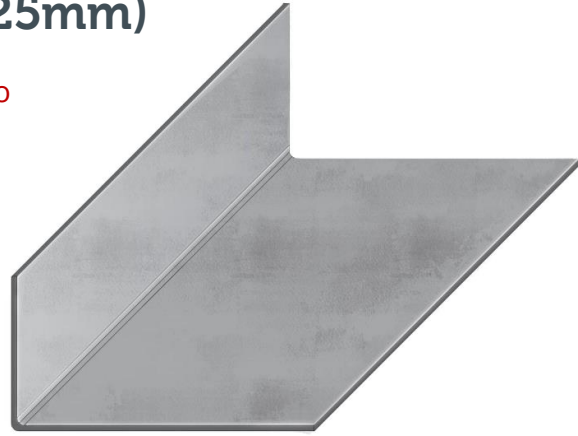
HADLEY ANGLE (50mm x 25mm)

Hadley Angle is used as part of a Hadley Drylining System to create non-loadbearing internal partitions.

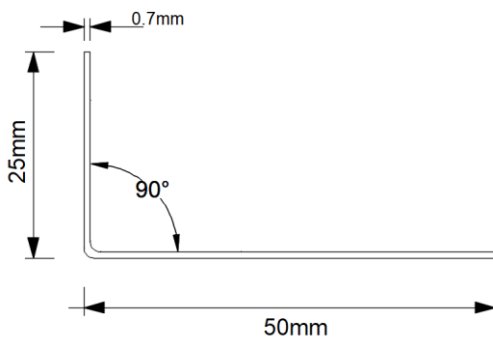
Manufactured in accordance with EN 14195:2005



Scan QR code for Hadley Drylining **Golden Thread Documents: Technical Datasheet, Material Safety Datasheet, Declaration of Performance (DoP), O&M Manual and more...**



Product Information



Size	50mm x 25mm
Gauge	0.7mm
Lengths	3.0m / 3.6m
Pack Quantities	10 / 200

REACTION TO FIRE:
A1

SERVICE CUT OUTS:
N/A

SYSTEM PERFORMANCE INFORMATION:
To be installed as a part of a complete Hadley Drywall system to achieve both Fire and Acoustic performance. To understand more about our fully warranted and tested solutions, please contact our Hadley Technical Support Team.

STORAGE & HANDLING:

When installing Hadley components please ensure full PPE is used and the site is practicing a safe working environment alongside industry standards.

DISPOSAL:

Hadley Metal is fully recyclable.

SYSTEMS USED:

All Hadley Systems