



It's not magic, it's engineering.®

Impact and Airborne Sound Control

GENIEMAT[®] RST

Underlayment for Reduced Sound Transmission



GENIEMAT® RST

Sound Control Underlayment

FROM THE INVENTOR OF THE PATENTED TECHNOLOGY (US 6920723, US RE41945, CA 2398262) FOR RECYCLED RUBBER USED FOR IMPACT SOUND INSULATION, DIRECTLY BELOW FLOOR COVERINGS.

GenieMat RST is a flat, resilient, reduced sound transmission mat made from 94% recycled rubber content, used directly under hard surface floor finishes and over concrete and wood construction.

It is used when superior sound control is required in residential, education, hospitality, commercial and healthcare high-rises, or commercial buildings and protects ceramic tile, porcelain and stone from substrate cracks.

Engineered for direct adhered floor coverings such as tile, stone, wood, and vinyl floor coverings.

Tile – All products rated for minimum of commercial use.

Wood – **GenieMat FAS** adhesives offer superior bonding strength.

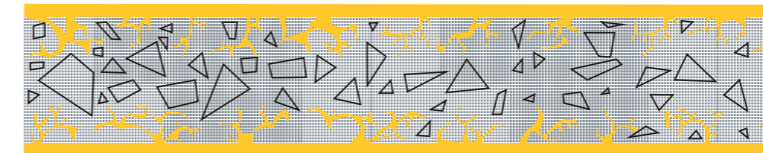
Vinyl – One-step method provides superior sound control for resilient floor coverings.

Features and Benefits:

- Mold, bacteria, fungi, and water resistant
- Exceeds pass criteria for point load test for crack isolation membrane (ANSI 118.12)
- Meets requirements for VOC emissions (IAQ test, ASTM D5116)
- Qualifies for BREEAM® and SKArating®
- Aids in Part E building regulations approval
- Can be used in Robust Details E-FC-1 & E-FC-2
- Floorscore® certified
- Complete floor covering system warranty available

| PRODUCT SPECIFICATIONS | | | | |
|------------------------|------------------|---|------------------------------|--|
| PRODUCT | ROLL SIZE | AVERAGE DYNAMIC STIFFNESS (BS EN 29052) | TYPE A HARDNESS (ISO 7619-1) | TCNA ROBINSON TEST WITH TILE (ASTM C627) |
| GenieMat RST02 | 1.22 m x 22.86 m | 157 MN/m ³ | 40 durometer | Extra heavy commercial |
| GenieMat RST05 | 1220 m x 9.14 m | 105 MN/m ³ | 40 durometer | Moderate commercial |
| GenieMat RST10 | 1.22 m x 4.57 m | 64 MN/m ³ | 40 durometer | Light commercial |
| GenieMat RST12 | 1.22 m x 4.57 m | 60 MN/m ³ | 40 durometer | Light commercial |
| GenieMat RST15 | 1.22 m x 4.57 m | 54 MN/m ³ | 40 durometer | Light commercial |

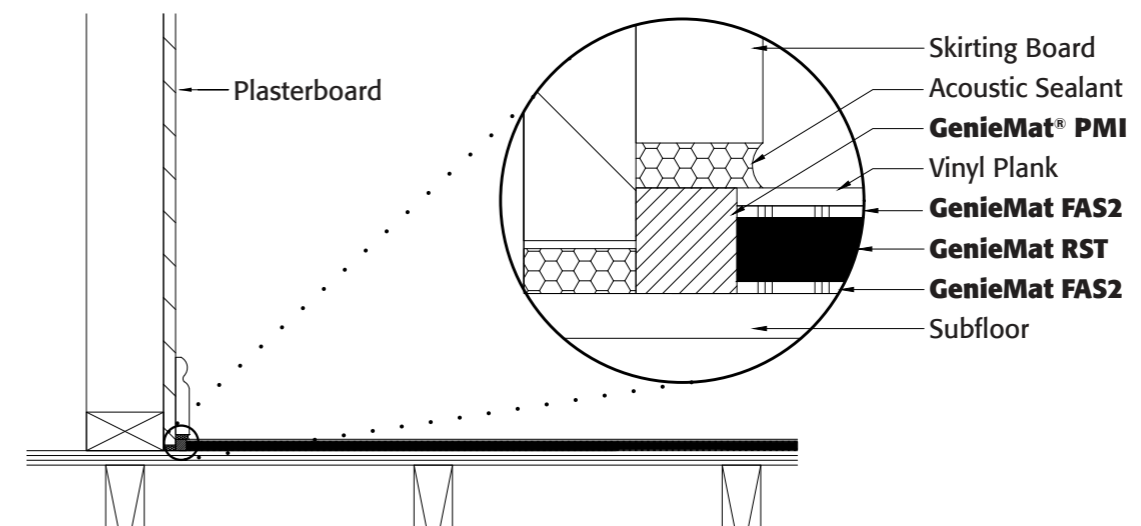
RUBBER IS THE BEST VIBRATION ISOLATION MATERIAL



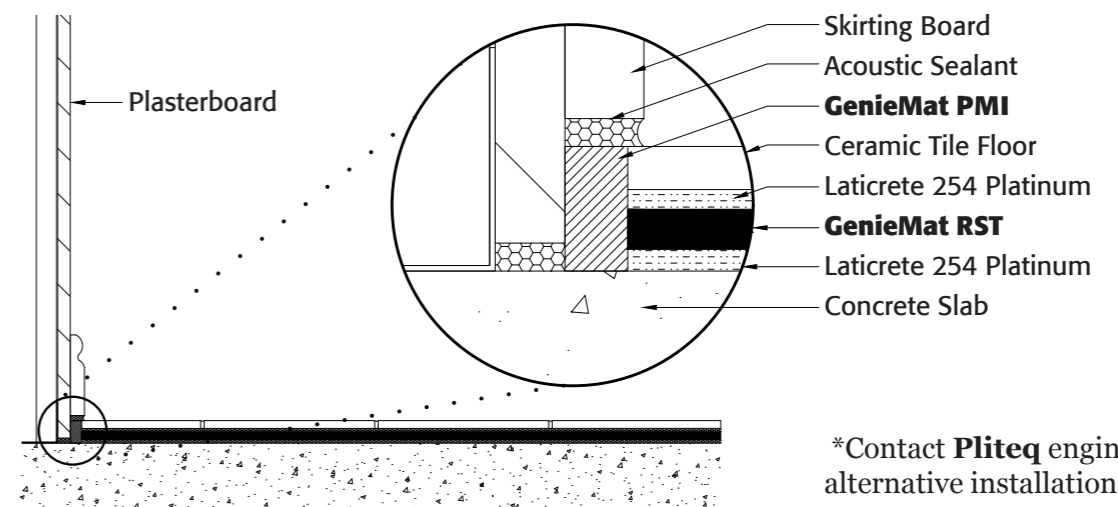
POSITIVE ADHESIVE LOCK
For very high bond strengths with adhered floor coverings.

APPROVED FOR PORCELAIN TILE, VINYL SHEET, LUXURY VINYL PLANK, CERAMIC TILE, AND ALL TYPES OF WOOD FLOOR

Fully Warranted Vinyl Plank System



Fully Warranted Ceramic Tile System

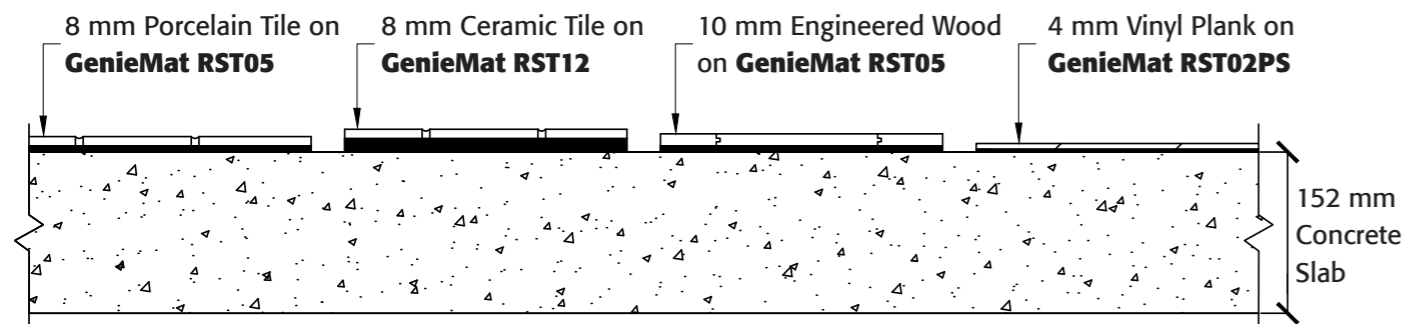


*Contact **Pliteq** engineering for alternative installation methods.

GENIEMAT® RST ACOUSTIC TEST DATA

IMPACT INSULATION SYSTEM

152 mm Concrete Slab



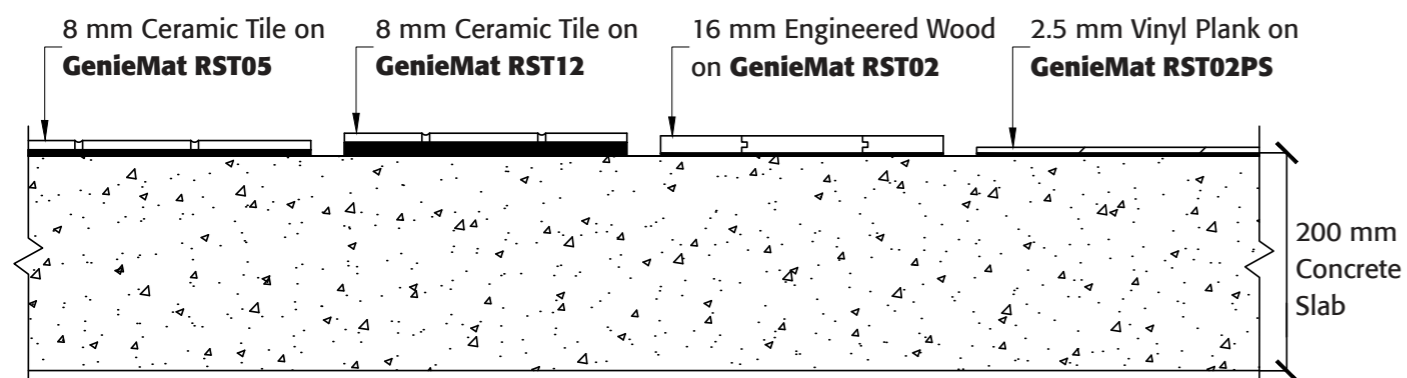
54 R_w 60 $L_{N,W}$
E2783.02

52 R_w 61 $L_{N,W}$
7013025 7013026

59 $L_{N,W}$
7014011

51 R_w 58 $L_{N,W}$
F9365.09

200 mm Concrete Slab



59 $L_{N,W}$
5013071

55 $L_{N,W}$
E8741.01

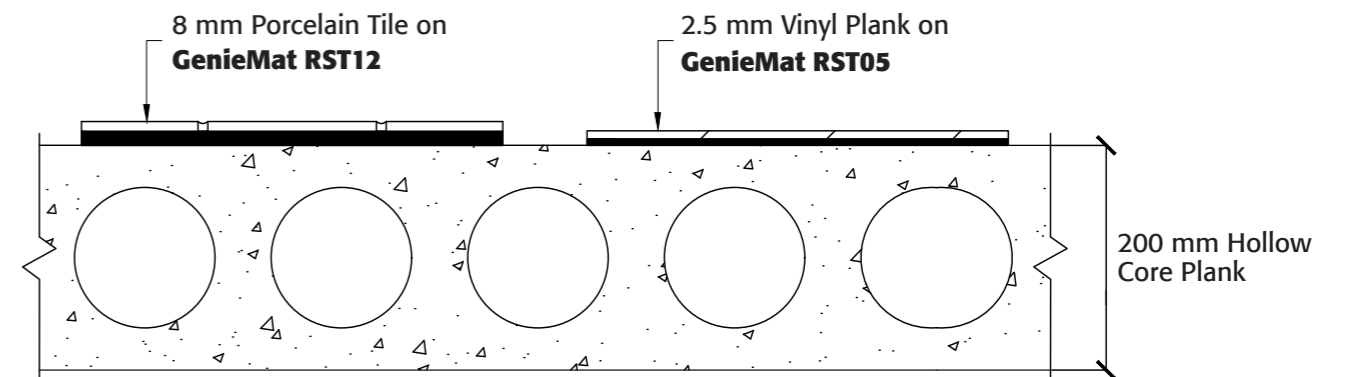
56 $L_{N,W}$
B3498.7

58 $L_{N,W}$
F8530.07

GENIEMAT® RST ACOUSTIC TEST DATA

IMPACT INSULATION SYSTEM

Hollow Core Plank

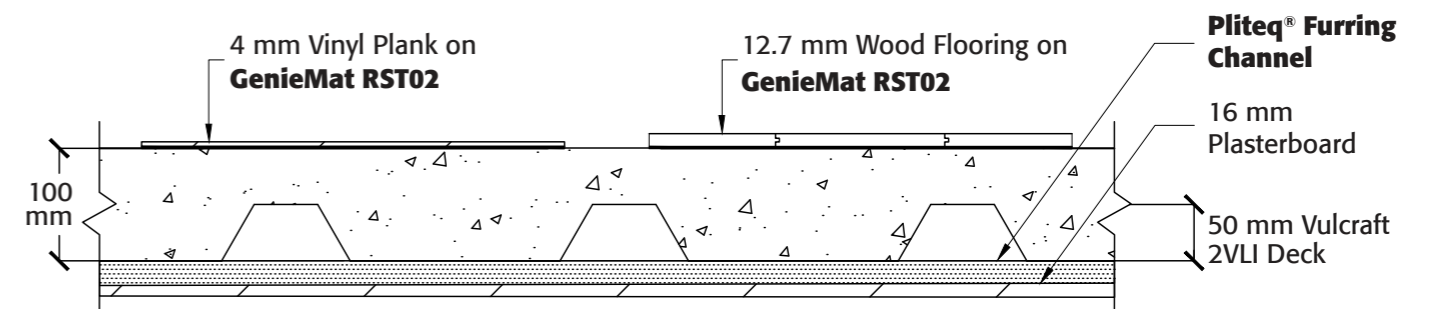


55 R_w 59 $L_{N,W}$
F0223.10

53 R_w 58 $L_{N,W}$
F0223.04

NOTE: No ceiling assembly tested.

Trapezoid Deck



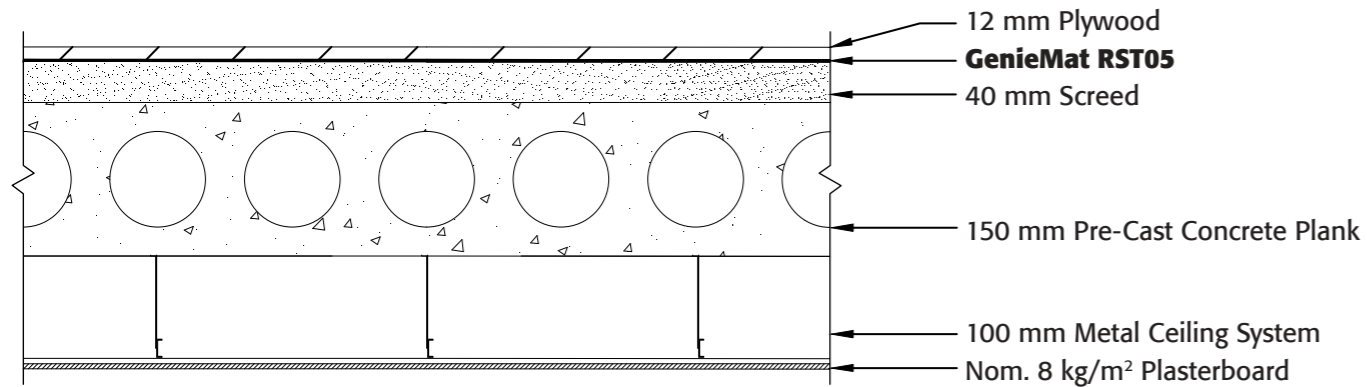
50 R_w 59 $L_{N,W}$
F5689.13

50 R_w 59 $L_{N,W}$
F5689.14

GENIEMAT® RST ACOUSTIC TEST DATA

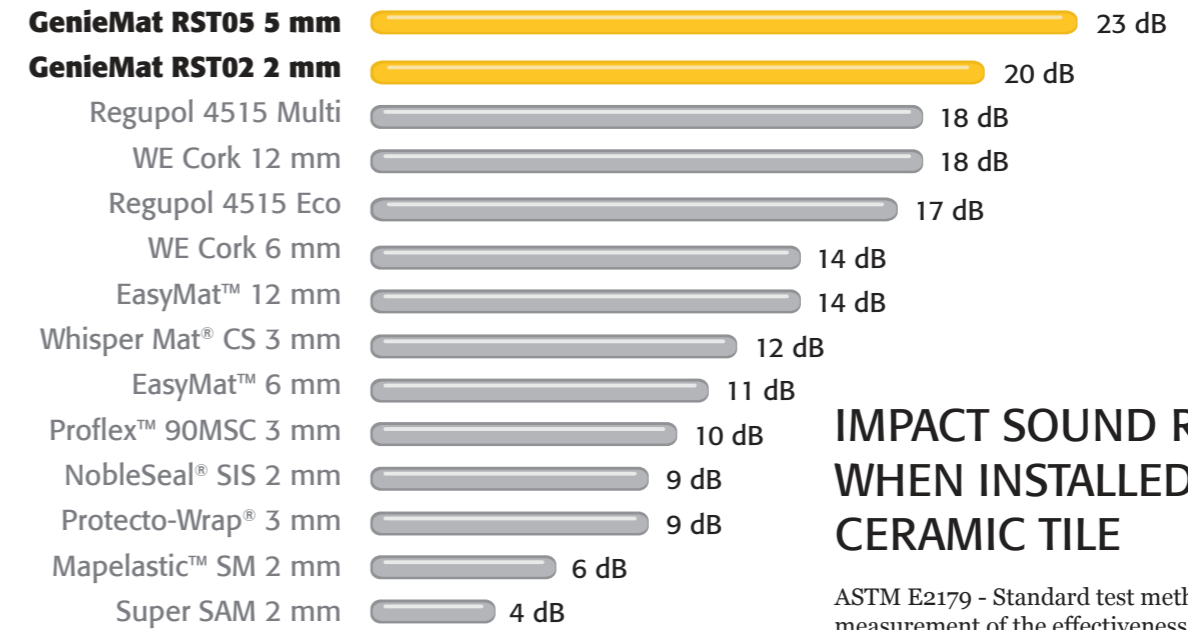
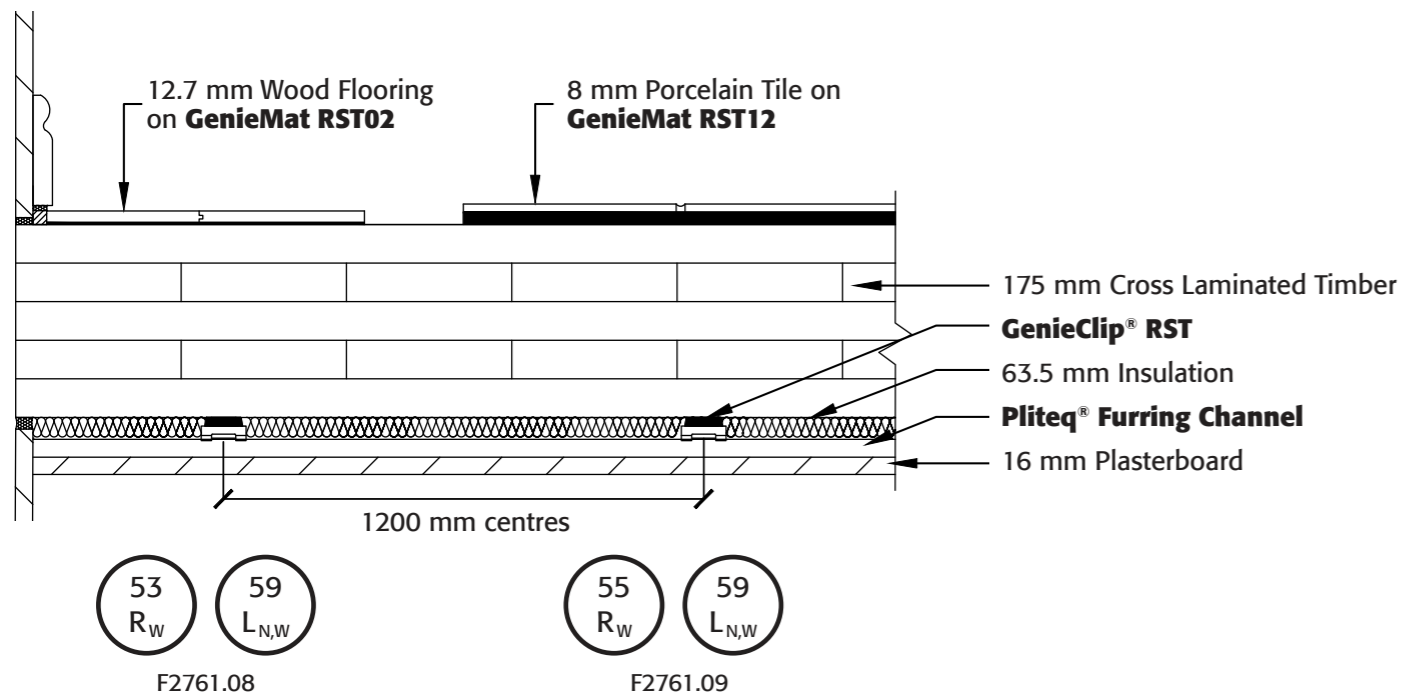
IMPACT INSULATION SYSTEM

Robust Details E-FC-1



Robust details compliant.

Cross Laminated Timber



ΔL_w
 All listed dimensions are nominal.

IMPACT SOUND REDUCTION WHEN INSTALLED BENEATH CERAMIC TILE

ASTM E2179 - Standard test method for laboratory measurement of the effectiveness of floor coverings in reducing impact sound transmission through concrete floors (150 mm concrete slab with tile).

| ACOUSTICAL TESTING STANDARDS - WOOD STRUCTURES | | | | | | | |
|--|--------------------------|----------------|---------------------------|------------------------------|---|-------|-----------|
| TEST REPORT NUMBER | PRODUCT | FINISH FLOOR | STRUCTURE | SUBFLOOR | CEILING TYPE | R_w | $L_{n,w}$ |
| G0535.08 | GenieMat® RST02PS | Vinyl Plank | Open Web Truss | 19 mm Screed, 19 mm OSB | 12 mm Resilient Bar, 16 mm Plasterboard | 59 | 60 |
| G0535.07 | GenieMat® RST02PS | Wood | Open Web Truss | 19 mm Screed, 19 mm OSB | 12 mm Resilient Bar, 16 mm Plasterboard | 60 | 60 |
| G0535.01 | GenieMat® RST02PS | Porcelain Tile | Open Web Truss | 19 mm Screed, 19 mm OSB | 12 mm Resilient Bar, 16 mm Plasterboard | 61 | 58 |
| F4832.18 | GenieMat RST02 | Porcelain Tile | Engineered Joist | 12 mm Plywood, 19 mm OSB | GenieClip® RST , 2x 16 mm Plasterboard | 59 | 55 |
| F5500.03 | GenieMat RST02 | Vinyl Plank | Engineered Joist | 12 mm Plywood, 19 mm OSB | GenieClip RST , 2x 16 mm Plasterboard | 60 | 49 |
| F4832.14 | GenieMat RST02 | Wood | Engineered Joist | 12 mm Plywood, 19 mm OSB | GenieClip RST , 2x 16 mm Plasterboard | 58 | 49 |
| F2761.08 | GenieMat RST02 | Wood | CLT | None | GenieClip RST , 16 mm Plasterboard | 53 | 59 |
| F2761.09 | GenieMat RST12 | Porcelain Tile | CLT | None | GenieClip RST , 16 mm Plasterboard | 55 | 59 |
| E5958.07 | GenieMat RST05 | Vinyl Plank | CLT | None | 300 mm Wire Suspended on GenieClip LB , 16 mm Plasterboard | 57 | 51 |
| 5013143 7013216 | GenieMat RST02 | Vinyl Plank | 50 x 250 Solid Wood Joist | 19 mm Plywood, 12 mm Plywood | GenieClip RST , 12.5 mm Plasterboard | 54 | 59 |
| 5013136 7013208 | GenieMat RST02 | Ceramic Tile | 50 x 250 Solid Wood Joist | 19 mm Plywood, 12 mm Plywood | GenieClip RST , 12.5 mm Plasterboard | 57 | 58 |

* RC Deluxe is a brand of resilient bar

TEST RESULTS

| ACOUSTICAL TESTING STANDARDS - CONCRETE AND STEEL STRUCTURES | | | | | | | |
|--|-------------------------|----------------|--------------------------------|----------------------------------|---|----------------|------------------|
| TEST REPORT NUMBER | PRODUCT | FINISH FLOOR | STRUCTURE | SUBFLOOR | CEILING TYPE | R _w | L _{n,w} |
| G9222.01 | None | Vinyl Plank | 200 mm Concrete Slab | None | None | 55 | 67 |
| G9222.04 | GenieMat® RST02 | Vinyl Plank | 200 mm Concrete Slab | None | None | 52 | 53 |
| E8741.01 | GenieMat RST12 | Ceramic Tile | 200 mm Concrete Slab | None | None | 57 | 55 |
| F8530.06 | GenieMat RST05 | Wood | 200 mm Concrete Slab | None | None | 55 | 54 |
| E2783.02 | GenieMat RST05 | Porcelain Tile | 150 mm Concrete Slab | None | None | 54 | 60 |
| F9365.09 | GenieMat RST02PS | Vinyl Plank | 150 mm Concrete Slab | None | None | 51 | 58 |
| G2953.07 | GenieMat RST05 | Wood | 150 mm Concrete Slab | None | None | 52 | 57 |
| F0223.10 | GenieMat RST12 | Porcelain Tile | 200 mm Hollow Core Plank | None | None | 55 | 59 |
| F0223.04 | GenieMat RST05 | Vinyl Plank | 200 mm Hollow Core Plank | None | None | 53 | 58 |
| G3991.07 | GenieMat RST05 | Porcelain Tile | 140 mm Trapezoidal Steel Deck | None | GenieClip® RST, 16 mm Plasterboard | 56 | 59 |
| G3991.17 | GenieMat RST02 | Wood | 140 mm Trapezoidal Steel Deck | None | Furring Channel | 54 | 58 |
| F9365.02 | GenieMat RST05 | Porcelain Tile | 100 mm Trapezoidal Steel Deck | None | GenieClip RST, 2x 16 mm Plasterboard | 58 | 59 |
| F5689.07 | GenieMat RST02 | Vinyl Plank | 100 mm Trapezoidal Steel Deck | None | GenieClip RST, 16 mm Plasterboard | 54 | 56 |
| F5689.06 | GenieMat RST05 | Wood | 100 mm Trapezoidal Steel Deck | None | GenieClip RST, 16 mm Plasterboard | 56 | 56 |
| F5689.18 | GenieMat RST12 | Porcelain Tile | 250 mm Steel Joist | 19 mm Structural Concrete Panels | GenieClip RST, 2x 16 mm Plasterboard | 62 | 60 |
| F5689.20 | GenieMat RST02 | Vinyl Plank | 250 mm Steel Joist | 19 mm Structural Concrete Panels | GenieClip RST, 2x 16 mm Plasterboard | 60 | 58 |
| F5689.21 | GenieMat RST02 | Wood | 250 mm Steel Joist | 19 mm Structural Concrete Panels | GenieClip RST, 2x 16 mm Plasterboard | 59 | 57 |
| F3052.15 | GenieMat RST10 | Porcelain Tile | 400 mm Insulated Concrete Form | None | 12 mm Plasterboard | 56 | 59 |
| F3052.14 | GenieMat RST05 | Wood | 400 mm Insulated Concrete Form | None | 12 mm Plasterboard | 54 | 57 |

CONTACT Us

For Your Project Specific Questions

UK +44.203.9846444 | **Asia Pacific** +65.8452.6865 | **Middle East** +971.4.813.5501

E. info@pliteq.co.uk

© Pliteq (UK) LTD. 2019.

12.19 ® Trademarks of Pliteq Inc. The information provided is accurate to the best of our knowledge at the time of issue. However, we reserve the right to make changes when necessary without further notification. Suggested application may need to be modified to conform with local building codes and conditions. We cannot accept responsibility for products that are not used, or installed, to our specifications. All listed dimensions are nominal.



www.pliteq.co.uk