

Metal Furring Runner System

Libra's Metal Furring System when used in conjunction with Gypsum based plasterboards is suitable for a wide range of internal drylining applications.

Installation - Metal Furring System (MF)

1. Determine required ceiling height and fix Libra FF20 Edge Trim to the room perimeter with suitable fixings at maximum 600mm centres.
2. Set out and mark hanger positions and fix Libra AFB angle cleats to the soffit with suitable fasteners. Attach Libra 182 Angles to the cleats with nuts and bolts. Libra 182 Angles can be directly fixed to the soffit, but this will reduce the SWL by 25%.
3. Trim the Libra 182 Angle Hangers to the correct level, and attach Libra FF30 Primary Channels to the Libra 182 Angle Hangers with 2 no wafer head jack-point screws. Ensure screws are installed through the hangers into the Primary Channels. Extend channels with 300mm offcuts that overlap each side by 150mm. Secure each side with 2 no wafer head jack-point screws.
4. Install Libra FF10 Furring Runners to the underside of the Libra FF30 Primary Channels at centres to suit the board lining, and secure with 2 no wafer head jackpoint screws per junction. Extend Libra FF10 Furring Runners by overlapping at least 150mm and securing with 4 no wafer head drywall screws.
5. Where required, lay insulation over the ceiling grid. Ensure it is adequately supported to prevent loss during the boarding process.
6. Install plasterboard linings as per specification with suitable drywall screws at maximum 230mm centres (150mm to cut ends). Boards to be fixed to their entire perimeter. Plasterboard should be fixed perpendicular to the Libra FF10 Furring Runners, with only bound edges spanning between bars.

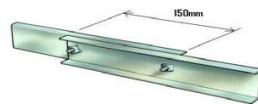
Notes:

Stagger all board joints by minimum 600mm. For Acoustic Absorbing liners follow the manufacturers' recommendations for pattern alignment. Where ceilings are fire-rated, ensure all service penetrations and any openings are suitably sealed to prevent hot gasses from entering the ceiling cavity. All areas of the plasterboard linings to be minimum fire taped to maintain fire and acoustic performances. Where access panels are required, ensure they are capable of maintaining the ceilings fire and acoustic performances.

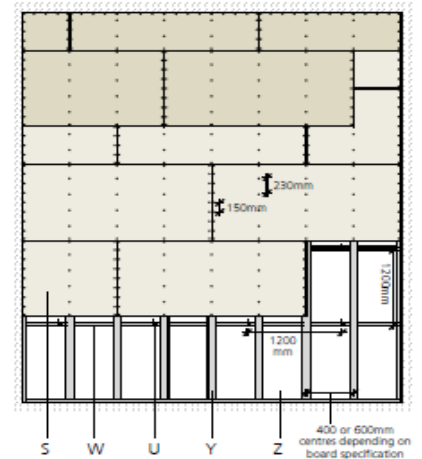
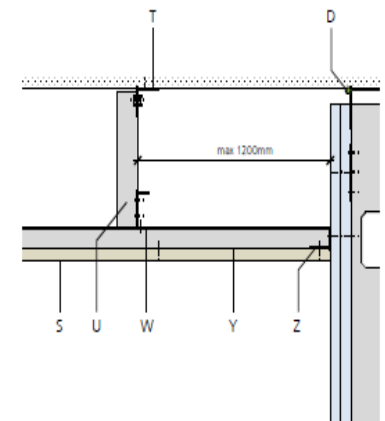
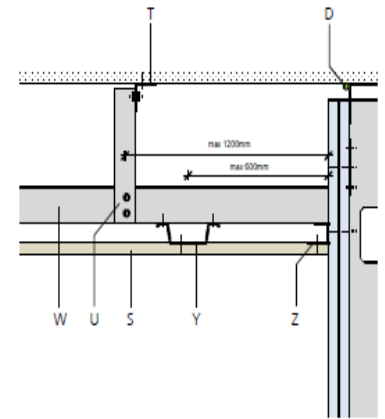
Joining Furring Runner



Joining Primary Channel



| Maximum Recommended Loads | | |
|---|-------------------------|------------------------------|
| Furring Runner System | | |
| Layout of Primary Channel with Furring Runner Sections set at 450mm centres | | Maximum Load Including Board |
| Suspension Centres. | Primary Channel Centres | |
| 1200mm | 600mm | 60Kg/m ² |
| 1200mm | 900mm | 40Kg/m ² |
| 1200mm | 1200mm | 30Kg/m ² |



- D Mastic Seals
- S Lining boards as per specification
- T Libra AFB Angle Cleats suitably fixed to soffit
- U Libra 182 Angle Hangers
- W FF30 Primary Channels
- Y FF10 Furring Runners
- Z FF20 Edge Trim

Unit E, Halesfield 10, Telford, Shropshire TF7 4QP

T: 01952 581150 F: 01952 585147 E: enquiries@librasystemsuk.com

www.librasystemsuk.com