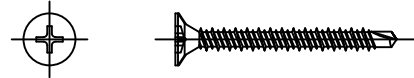
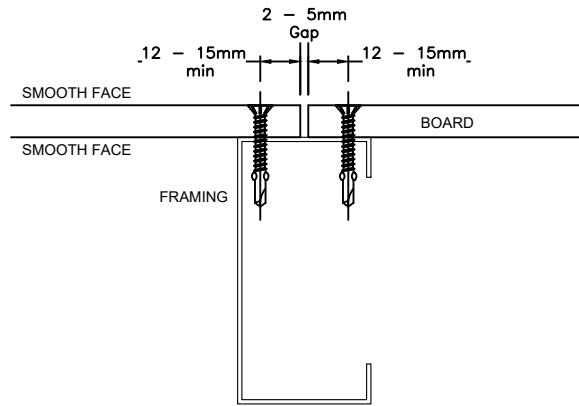


FOR FIXING INTO SFS FRAMING
4.8mm x 38mm WINGTIP FIXING (FIX006)

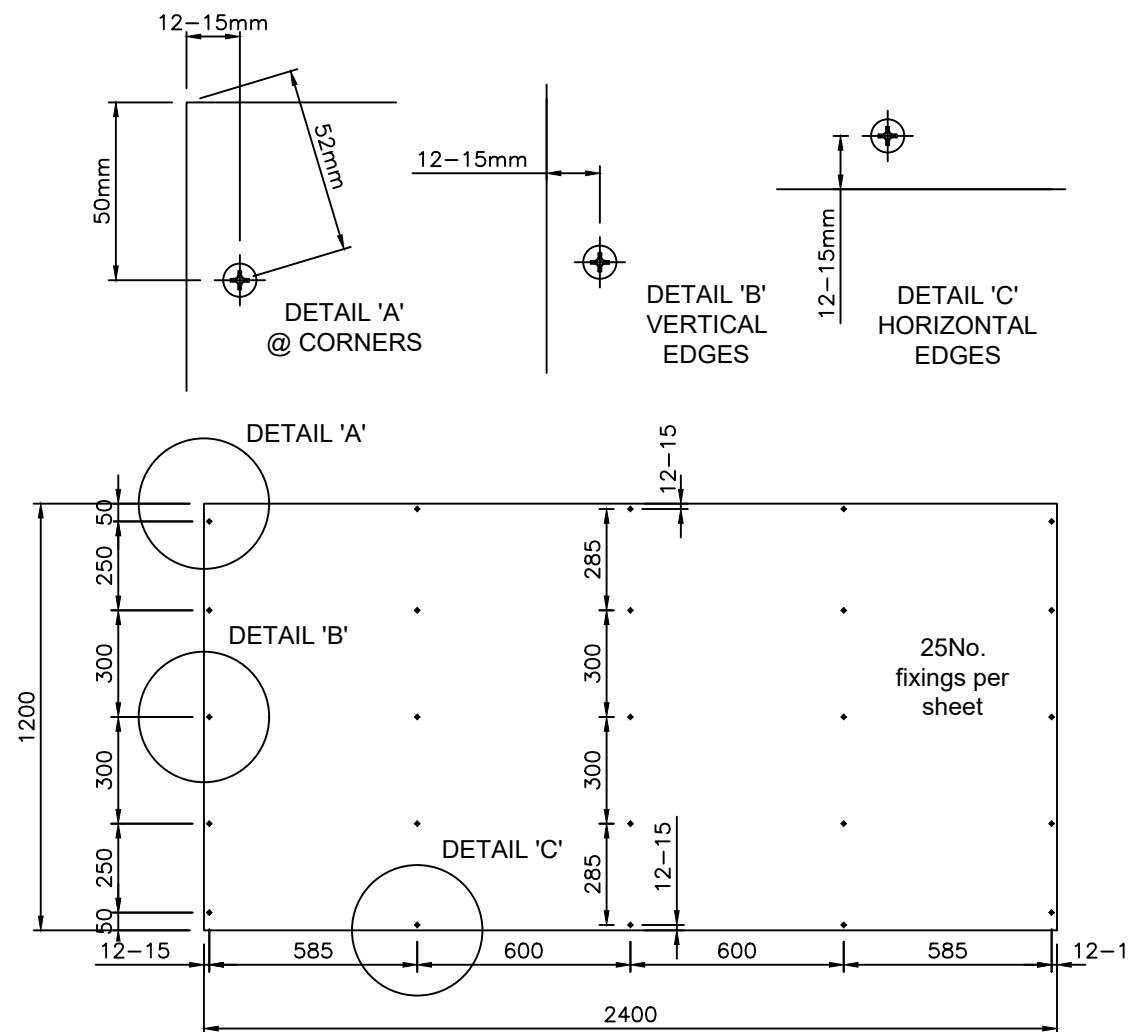
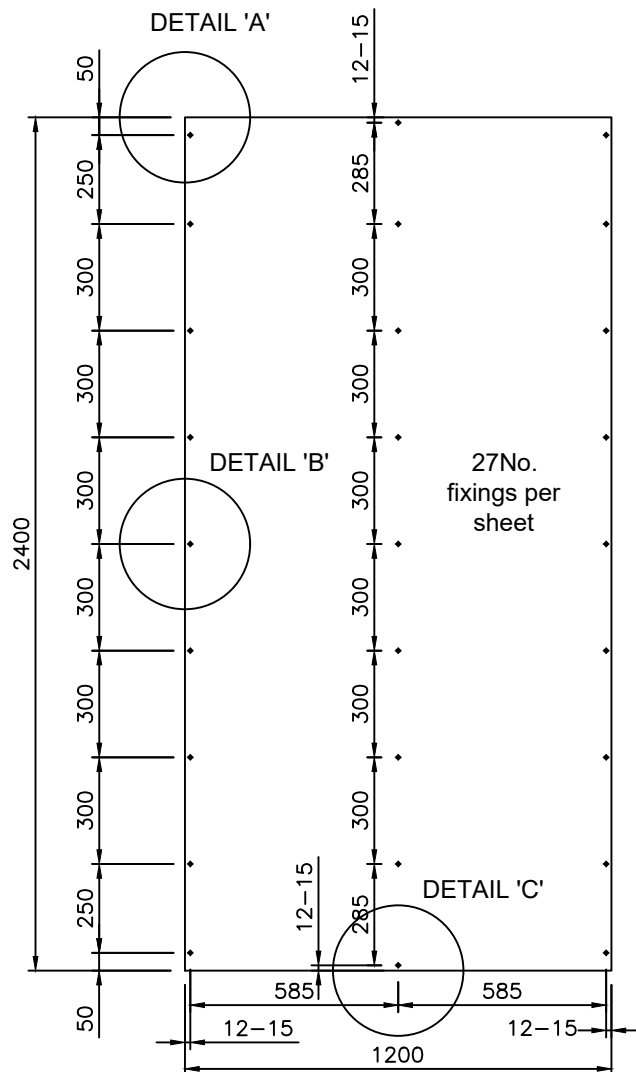
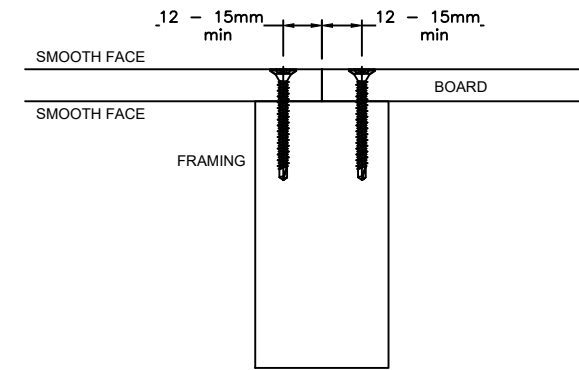


FOR FIXING INTO TIMBER FRAMING
4.2mm x 42mm FIXING (FIX005)

EXPOSED JOINTS



INTERNAL DRY AREAS



RCM - CEMBOARD TYPICAL FIXING DETAILS

(NOMINAL 2mm TO 5mm JOINT GAP BETWEEN BOARDS)
MINIMUM EDGE DISTANCE 12mm-15mm

REV	NOTE	DATE	BY
001	First Release	4/12/20	DM
002	Internal Update	12/20	DJP
003	Clarification of edge fixing distance	10/02/21	DM

PROJECT:
RCM

DRAWING ID:
ST102-003

DESCRIPTION:
CEMBOARD TYPICAL FIXING DETAILS

DETAIL:

DRAWN: DM	CHECKED: JB	DATE: 10/02/2021
--------------	----------------	---------------------

SCALE: NTS	SIZE: A4	SHEET: 01
---------------	-------------	--------------



Unit 25 - 26
Rosevale Rd,
Parkhouse Ind Est West,
Newcastle-under-Lyme,
Staffordshire,
ST5 7EF
Telephone: 0800 612 4662
Email: info@rcmtd.biz

All performance data & systems specifications are for systems constructed with materials & components as shown. The inclusion or substitution of any other manufactures materials or components invalidates both test data, system performance and compliance with CDM 2015. The information is provided and based upon details received which are assumed to include all the relevant facts and data. While it is believed to be correct, we accept no liability for its accuracy, adequacy or completeness. Recipients must satisfy themselves as to its suitability as we do not accept responsibility for any claims or consequential loss. Acceptance of the content and subsequent design responsibility rests entirely with the recipients. Any subsequent design changes that affect the detail which we are not informed of in a written format will void this detail. None of the content may be copied without the prior approval from the Benx Group Technical Services Department. This statement should be read in conjunction with the standard terms and conditions of Benx Group.