

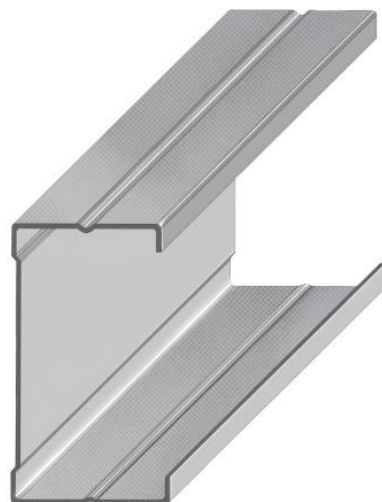
HADLEY 146mm C STUDS

Hadley C Studs are cold-rolled steel studs used as part of a Hadley Drylining System to create non-loadbearing internal partitions.

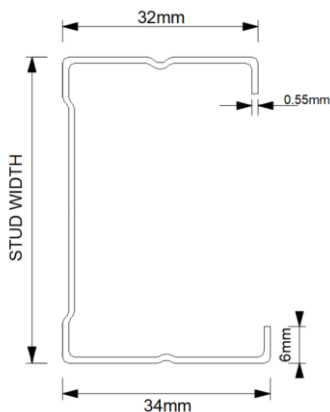
Manufactured in accordance with EN 14195:2005



Scan QR code for Hadley Drylining **Golden Thread Documents: Technical Datasheet, Material Safety Datasheet, Declaration of Performance (DoP), O&M Manual and more...**



Product Information



Width	146mm
Flange	32mm/34mm
Gauge	0.55mm
Lengths	3.6m / 4.2m / 5m / 6m
Pack Quantities	10 / 100

REACTION TO FIRE:
A1

YIELD STRENGTH:
210 (N/mm²)

SERVICE CUT OUTS:
80mm x 30mm @ 600mm Centres

SYSTEM PERFORMANCE INFORMATION:
To be installed as a part of a complete Hadley Drywall system to achieve both Fire and Acoustic performance. To understand more about our fully warranted and tested solutions, please contact our Hadley Technical Support Team.

STORAGE & HANDLING:

When installing Hadley components please ensure full PPE is used and the site is practicing a safe working environment alongside industry standards.

DISPOSAL:

Hadley Metal is fully recyclable.

SYSTEMS USED:

- HadleySOLO – Single Stud System
- HadleyDUO – Twin Frame I Stud System (*used only at abutments)
- HadleyBRACE – Braced Twin Frame System
- HadleyHUSH – Single Stud System using Resilient Bars
- HadleySTAGGER – Staggered Stud System (*used only at abutments)
- HadleyLINE- Independent I Stud Lining System (*used only at abutments)